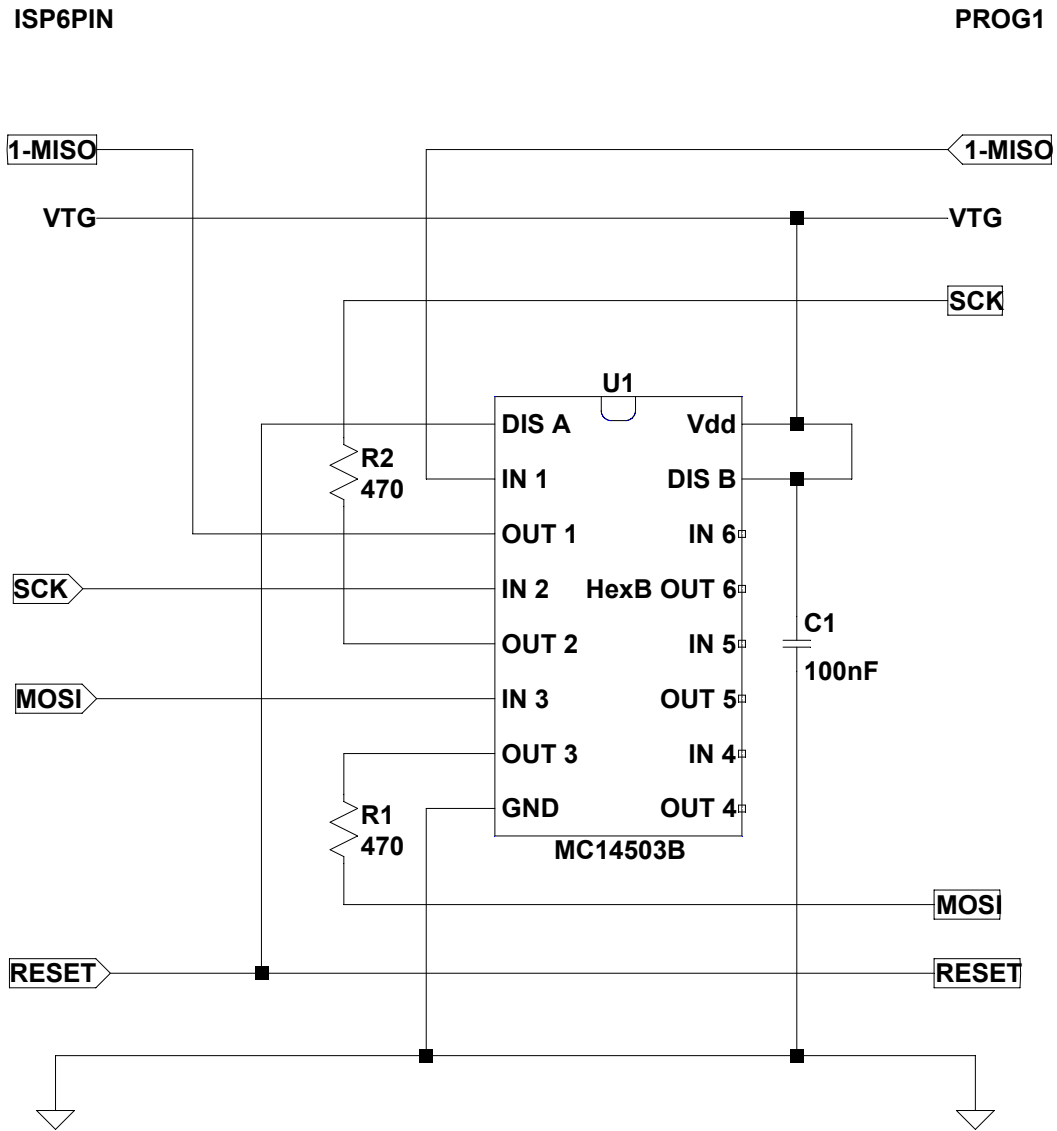


# STK500 ISP isolation circuit (in 6-way cable)



mfc -- built 2003.02.22